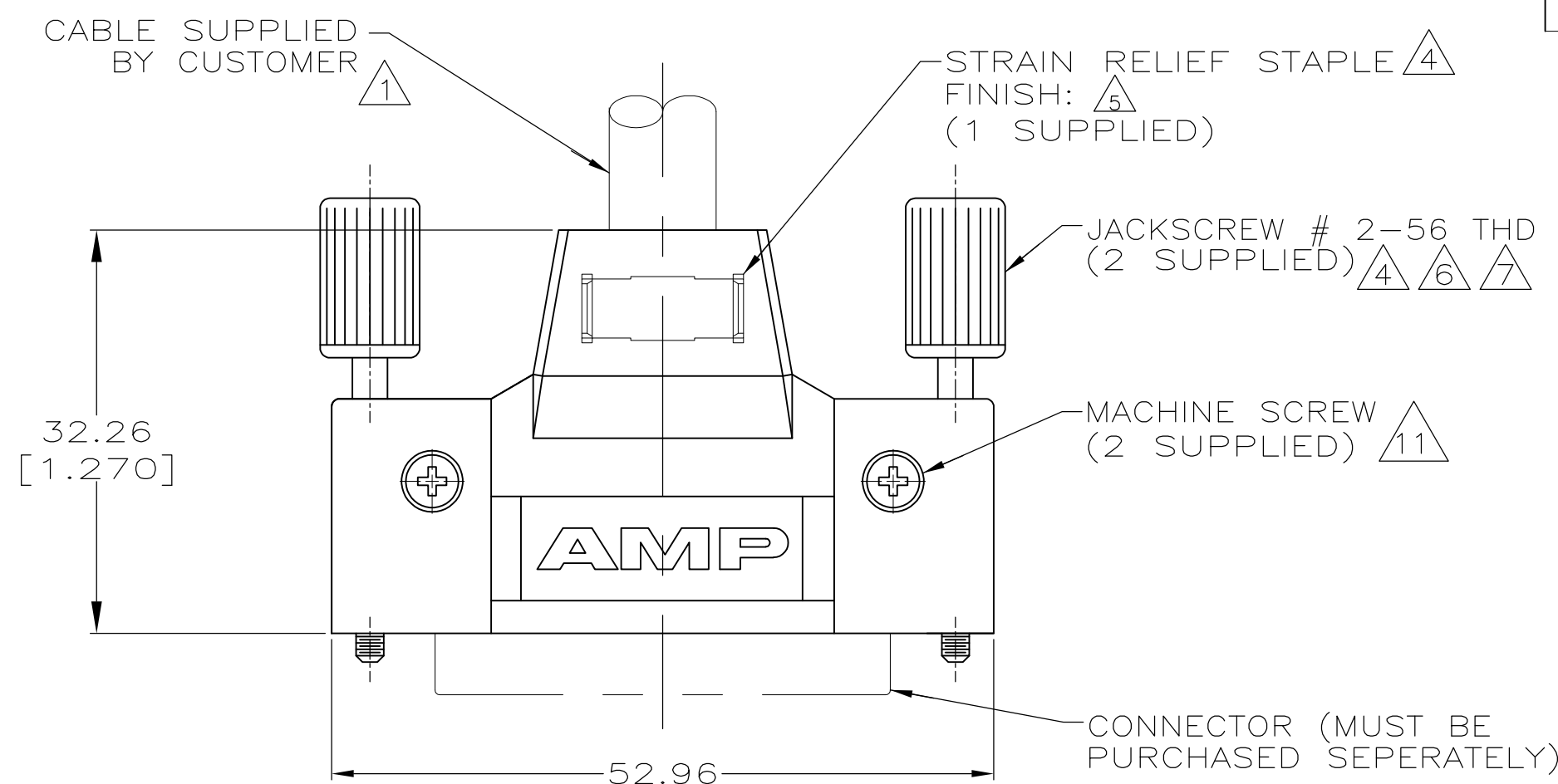
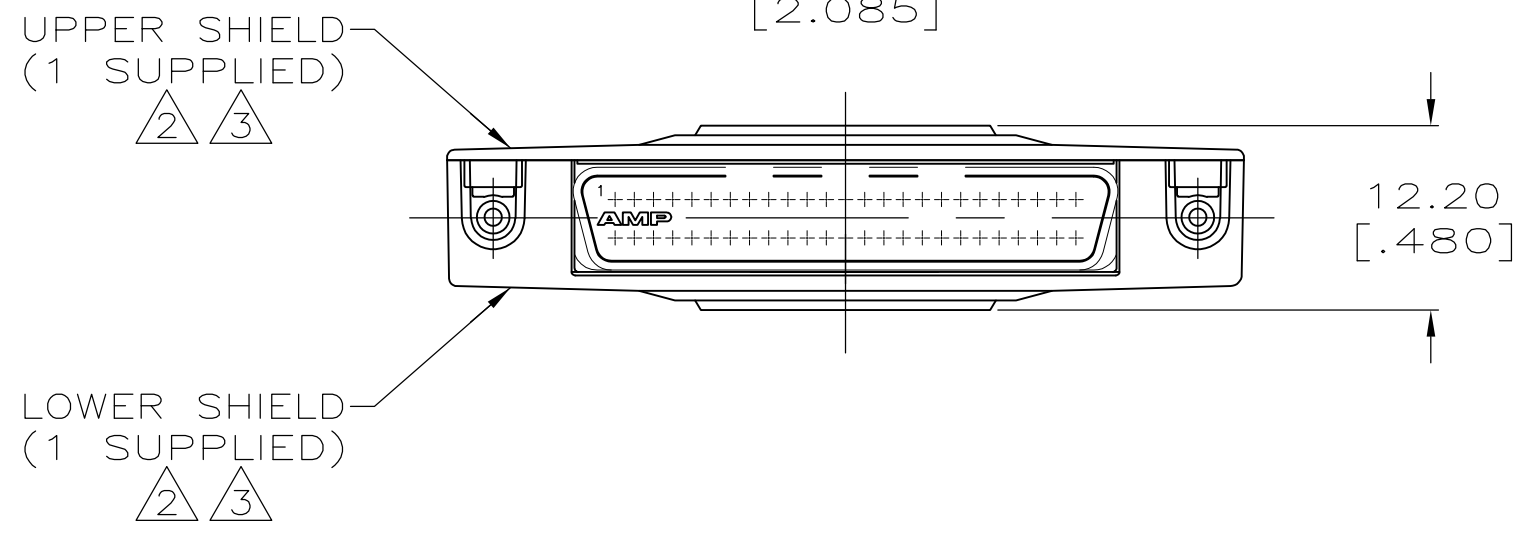


THIS DRAWING IS UNPUBLISHED. RELEASED FOR PUBLICATION  
 © COPYRIGHT - By - ALL RIGHTS RESERVED.

LOC	DIST	REVISIONS					
GP	00	P	LTR	DESCRIPTION	DATE	DWN	APVD
		R		REVISED PER ECO-11-012218	14JUL2011	CJV	SLB



- △1 10.16[.400] MAX CABLE DIA.
- △2 ZINC.
- △3 NICKEL PLATED.
- △4 STEEL.
- △5 BRIGHT TIN PLATED.
- △6 POLYPROPYLENE OR NYLON, UL94V-0 RATED, BLACK.
- △7 BLACK ZINC PLATED.
- △8 PARTS PACKAGED AS A UNIT KIT.
- △9 INDIVIDUALLY BULK PACKAGED.
- △10 OBSOLETE PARTS: OBSOLETE CIS STREAMLINING PER D.RENAUD/D.SINISI.
- △11 STAINLESS STEEL.



△10 OBSOLETE	△9	-5749080-2-
	△8	5749080-1
	PACKAGING	PART NO.

**COPYRIGHT 2005  
 TE CONNECTIVITY CORP  
 ALL RIGHTS RESERVED**

THIS DRAWING IS A CONTROLLED DOCUMENT.		DWN G.PETERS 24aug05	TE Connectivity											
DIMENSIONS: INCHES		CHK S.SHUEY 24AUG05												
TOLERANCES UNLESS OTHERWISE SPECIFIED:		APVD M.WALMSLEY 24AUG05												
<table border="0"> <tr><td>0 PLC</td><td>± -</td></tr> <tr><td>1 PLC</td><td>± -</td></tr> <tr><td>2 PLC</td><td>± 0.38 [.015]</td></tr> <tr><td>3 PLC</td><td>± -</td></tr> <tr><td>4 PLC</td><td>± -</td></tr> <tr><td>ANGLES</td><td>± -</td></tr> </table>		0 PLC			± -	1 PLC	± -	2 PLC	± 0.38 [.015]	3 PLC	± -	4 PLC	± -	ANGLES
0 PLC	± -													
1 PLC	± -													
2 PLC	± 0.38 [.015]													
3 PLC	± -													
4 PLC	± -													
ANGLES	± -													
MATERIAL STAPLE FINISH	FINISH	PRODUCT SPEC	BACKSHELLS WITH MALE JACKSCREWS, 50 POSITION AMPLIMITE .050 Series											
	PACKAGING	APPLICATION SPEC	SIZE	CAGE CODE	DRAWING NO	RESTRICTED TO								
		WEIGHT -	A3	00779	C-5749080	-								
CUSTOMER DRAWING			SCALE 2:1	SHEET 1 OF 1	REV R									